



# Enter the New Paradigm !

## SERENILED PLUS Profile



**For the first time, A LED fixture smaller than its halogen equivalent!**

With advanced internal technology breakthrough, the SERENILED PLUS profile is the first LED Profile light fixture delivering a light output and efficiency capable of replacing bigger and bulkier halogen fixtures, yet providing the same lighting power and quality. Equipped with the renowned SERENITY profile optical system, the SERENILED PLUS will give you a perfect framing and light pattern, with a strikingly powerful, uniform and sharp light beam.

Low heat output will allow you to use metal, glass and also plastic gobos.

Internally equipped with a noiseless and flicker free dimmer (for TV and motion picture applications), the SERENILED PLUS profile reduces operating costs with low power consumption and the long life time of its LED source.

Light control features include multiple response curves, strobe function, dimming local (no DMX 512 needed) for stand-alone operation, or remote through DMX 512 in 8 bits or 16 bits modes.

### Light brightness equivalent to a 2 000W halogen fixture\*

**Standard color:** black, other colors available as options

**Consumption:** only 250W

**Color temperature:** 3200K (CRI >90), 6500K (CRI >80)\*\*

**DMX 512:** In/Out XLR5 connectors

**Power supply:** 100/240 VAC 50/60Hz, powerCON "true1" connectors

**Wireless DMX:** option

**Zoom:** 10/29°(ref 3469), 15/40°(ref 3468), 30/54°(ref 3470) available at purchase

**Weights:** 3468: 17.4 kg      3469: 18.2 kg      3470: 16.2 kg

### Included equipment :

One power supply cable (2m) equipped with one powerCON TRUE1 connector; Four shutters, One metal pattern holder.

\* Equivalent power is an approximate data for indication only, \*\*other color temperature upon request.

**SERENILED PLUS Profile Main Features :**

Chainable power connectors and cables (1000W total)

Hot connect/disconnect locking power connectors

Fully (360°) rotating and locking front assembly

Curves selection (halogen, square, linear)

2 color temperature choices available at purchase:  
3200K or 6500K

Up to 8 shutters

8 or 16 bits DMX 512 mode selection

Strobe function, adjustable locally or remotely by DMX 512

Frequency adjustment: locally or remotely by DMX 512

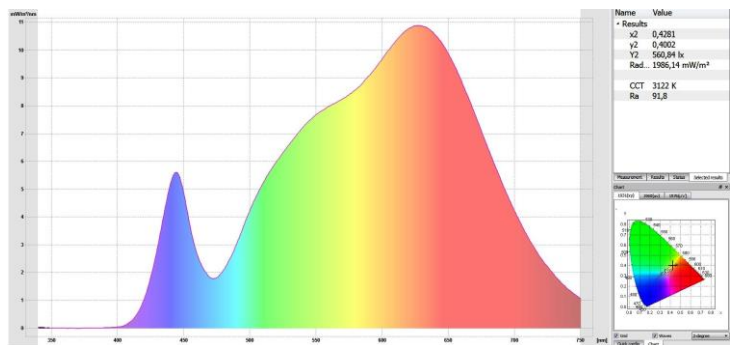
Real time temperature monitoring and management

Gobo Holder and Iris (Options)

Sharp and uniform light field

Single shadow projected

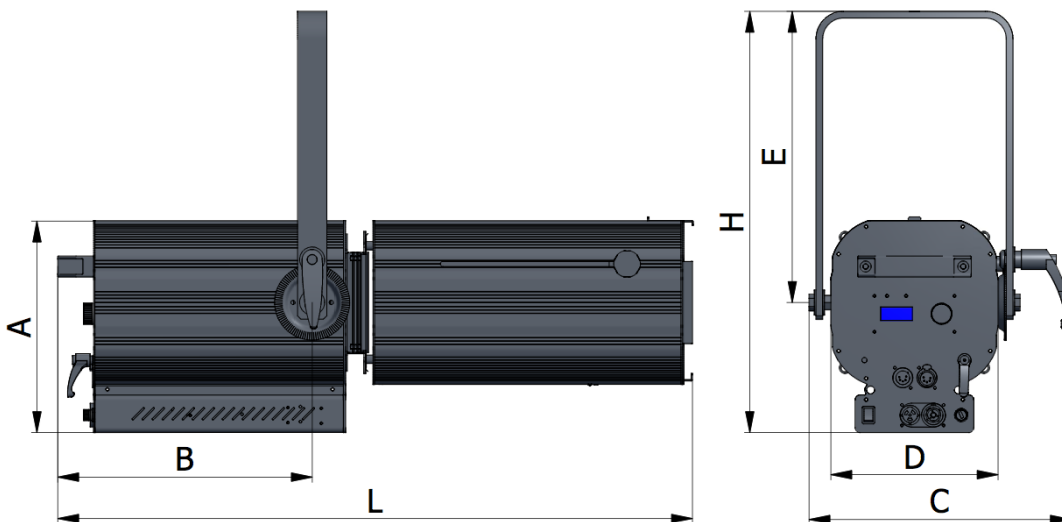
**3200K version Photometric datasheet:**



**Dimensions (mm):**

Mounting hole diameter in the yoke: 12.5mm

Dimensions							
Zoom:	A	B	L	H	E	D	C
<b>15/40°</b>	254mm	305mm	761mm	505mm	349mm	200mm	314mm
<b>10/29°</b>	254mm	305mm	889mm	505mm	349mm	200mm	314mm
<b>30/54°</b>	254mm	305mm	662mm	505mm	349mm	200mm	314mm



Conform to standard EN60598-2-17 07/92 – EC marked according to directives 89/336/CEE & 73/23/CEE. Environment1. SERENILED and CRYSTALCLEAR are registered trademarks of RVE SAS. This device is designed to operate on any private or public supply network standard NF EN 50160, intended for professional use. RVE reserves the right to make any change in design or construction to the equipment described without prior notification. Sereniled\_plus\_profile\_uk\_ft06\_220317.