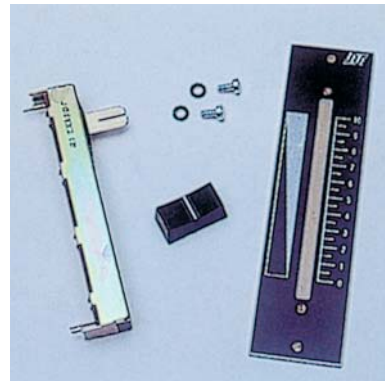
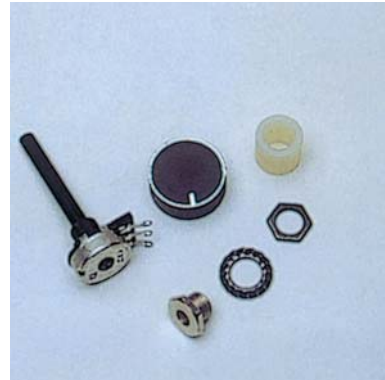


POTENTIOMETERS

1977 1976

Two models of potentiometers are available and allow:

- The control of several dimmers wired in parallel
- The dimming from only one place
- Rotary potentiometer reference 1977:
 - Easy fixing on blank cover panel of any device or on a cabinet front panel
 - Delivered with screw, brace, spacer and silver grey button
- Linear potentiometer reference 1976:
 - Fixing on a desk or any wall
 - Delivered with screw, one plate with an engraved level index, one black slider
- To control your dimmed lighting sources from many places, use switches controlling potentiometer sliders.



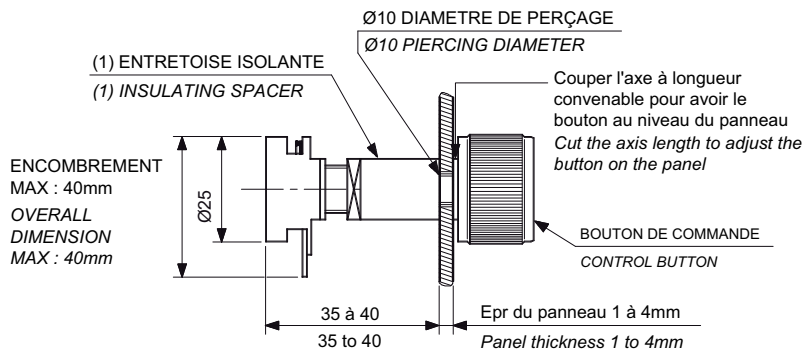
Weights

1977 : 30 g

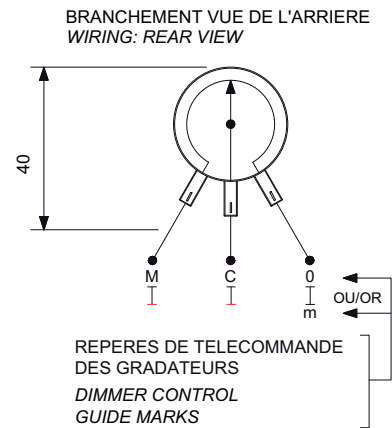
1976 : 33 g

1977 1976

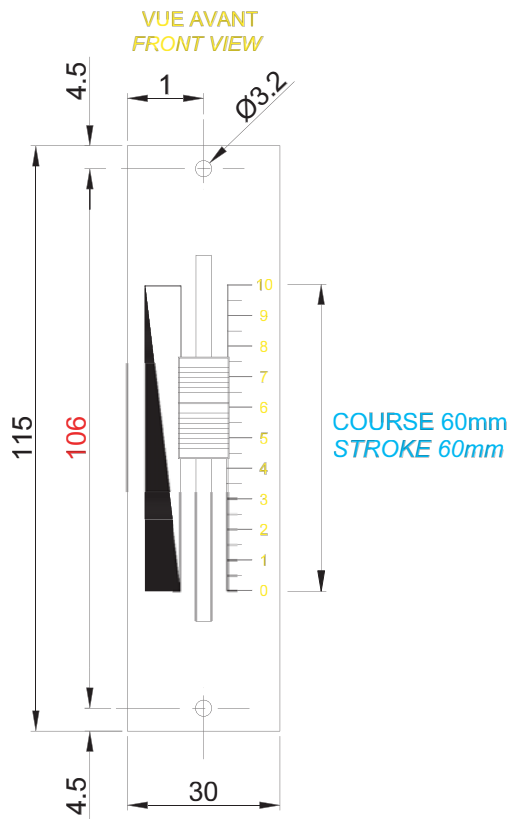
1977 POTENTIOMETER CONNECTION



- (1) Pour respecter les normes de sécurité cette entretoise doit être impérativement mise en place, lorsque le potentiomètre est utilisé avec des gradateurs à commande non isolée
- (1) To ensure the safety standards this spacer must be imperatively setting up when the potentiometer is used for dimmers with no insulated control



1976 POTENTIOMETER CONNECTION



REPERES DE TELECOMMANDE
DES GRADATEURS
DIMMER CONTROL
GUIDE MARKS

MODELE A N'UTILISER QU'AVEC DES GRADATEURS A COMMANDE ISOLEE
USE ONLY FOR DIMMER WITH INSULATED CONTROL

Photo : BACCARAT Museum

EC marked according to EEC/89/336 and EEC/73/23 - Environment 1.

This device is designed for working on private or public NF EN 50160 network.

an_1977_1976_potentiometers_ft0_14/01/08 RVE - Technologie reserves the right to make any variation in design or construction to the equipment described, without prior notification.